

# Integral Horsepower Motors by US Motors

---

## Air Moving Motors Cooling Tower Motors Solid State Heavy Duty Starters by Siemens

### Motors

- Open Dripproof Motors
- Totally Enclosed Fan Cooled Motors
- Cooling Tower Motors - TEFC
- Cooling Tower Motors - TEAO
- F1 and F2 Junction Boxes
- 1 through 100 HP
- 200 volt
- 208-230/460 Volt
- 230/460 Volt
- 575 Volt
- Nameplate Breakdown
- NEMA Frame Dimensions
- ServiceFirst Item Number to US Motor Catalog Number

### Starters

- NEMA 0 through 6
- 200 Volt through 575 Volt
- Solid State Overloads
- Accessories



**SIEMENS**





---

<b>General Purposes, Open Dripproof</b>	<b>4</b>
<b>General Purposes, Totally Enclosed Fan Cooled</b>	<b>6</b>
<b>Cooling Tower Duty Motors, Product Features</b>	<b>8</b>
<b>Cooling Tower Duty Motors, Totally Enclosed Fan Cooled, Energy Efficient</b>	<b>9</b>
<b>Cooling Tower Duty Motors, Totally Enclosed Air Oven, Energy Efficient</b>	<b>11</b>
<b>Nameplate Interpretation</b>	<b>13</b>
<b>NEMA Specification Table</b>	<b>15</b>
<b>Motors Starter Selection Table</b>	<b>16</b>
<b>Service First to US Motors Cross Reference</b>	<b>17</b>
<b>US Motors to Service First Cross Reference</b>	<b>20</b>

**General Purpose, Three Phase, Open Dripproof EPACT Energy Efficient**

**Features:**

- Fully comply with EPACT '92 and NRCan efficiency standards
- Suitable for wye-delta start on 250T frame and larger
- Dual voltage ratings suitable for part wind start on lower voltage

- Full 50 and 60 Hz operating data on nameplate (Yes 50 Hz)
- Voltage on 50 Hz is 190/380
- Class F insulation system, class B rise at service factor
- NEMA Design B performance (60Hz)
- 56-320T rolled steel frame construction
- 360T-404T cast iron frame construction
- 1.15 service factor on 60 Hz, 1.0 on 50 Hz



*Typical 213T Frame, F1 construction*

HP	Voltage	RPM	Frame	ServiceFirst Item # F1*	ServiceFirst Item # F2**	Efficiency Full Load	Power Factor Full Load	Shipping Weight	50HZ Capable
1	200	1800	143T	MOT10573	MOT10621	82.5	75.8	35	
1	208-230/460	1800	143T	MOT10589	MOT10637	82.5	75.9	35	Yes
1	575	1800	143T	MOT10605	MOT10653	82.5	75.7	35	
1-1/2	200	1800	145T	MOT10574	MOT10622	84.0	77.0	40	
1-1/2	208-230/460	1800	145T	MOT10590	MOT10638	84.0	76.6	40	Yes
1-1/2	575	1800	145T	MOT10606	MOT10654	84.0	75.4	40	
2	200	1800	145T	MOT10575	MOT10623	84.0	74.4	45	
2	208-230/460	1800	145T	MOT10591	MOT10639	84.0	75.4	45	Yes
2	575	1800	145T	MOT10607	MOT10655	84.0	75.5	45	
3	200	1800	182T	MOT10576	MOT10624	86.5	78.0	50	
3	208-230/460	1800	182T	MOT10592	MOT10640	86.5	78.0	50	Yes
3	575	1800	182T	MOT10608	MOT10656	86.5	77.3	50	
5	200	1800	184T	MOT10577	MOT10625	87.5	83.0	60	
5	208-230/460	1800	184T	MOT10593	MOT10641	87.5	82.9	60	Yes
5	575	1800	184T	MOT10609	MOT10657	87.5	82.9	60	
7-1/2	200	1800	213T	MOT10578	MOT10626	88.5	83.2	90	
7-1/2	208-230/460	1800	213T	MOT10594	MOT10642	88.5	82.7	90	Yes
7-1/2	575	1800	213T	MOT10610	MOT10658	88.5	83.1	90	
10	200	1800	215T	MOT10579	MOT10627	89.5	84.7	100	
10	208-230/460	1800	215T	MOT10595	MOT10643	89.5	84.9	100	Yes
10	575	1800	215T	MOT10611	MOT10659	89.5	84.8	100	
15	200	1800	254T	MOT10580	MOT10628	91.0	81.1	150	
15	208-230/460	1800	254T	MOT10596	MOT10644	91.0	81.3	150	Yes
15	575	1800	254T	MOT10612	MOT10660	91.0	82.0	150	
20	200	1800	256T	MOT10581	MOT10629	91.0	82.1	160	
20	208-230/460	1800	256T	MOT10597	MOT10645	91.0	82.6	160	Yes
20	575	1800	256T	MOT10613	MOT10661	91.0	81.9	160	
25	200	1800	284T	MOT10582	MOT10630	91.7	83.7	300	
25	208-230/460	1800	284T	MOT10598	MOT10646	91.7	83.7	300	Yes
25	575	1800	284T	MOT10614	MOT10662	91.7	83.8	300	
30	200	1800	286T	MOT10583	MOT10631	92.4	85.6	325	
30	208-230/460	1800	286T	MOT10599	MOT10647	92.4	85.7	325	Yes
30	575	1800	286T	MOT10615	MOT10663	92.4	85.7	325	
40	200	1800	324T	MOT10584	MOT10632	93.0	87.6	385	
40	230/460	1800	324T	MOT10600	MOT10648	93.0	87.5	385	Yes
40	575	1800	324T	MOT10616	MOT10664	93.0	87.7	385	
50	200	1800	326T	MOT10585	MOT10633	93.0	87.6	415	
50	230/460	1800	326T	MOT10601	MOT10649	93.0	87.5	415	Yes
50	575	1800	326T	MOT10617	MOT10665	93.0	87.5	415	
60	200	1800	364T	MOT10586	MOT10634	93.6	86.4	580	
60	230/460	1800	364T	MOT10602	MOT10650	86.2	86.4	580	Yes
60	575	1800	364T	MOT10618	MOT10666	93.6	86.4	580	
75	200	1800	365T	MOT10587	MOT10635	94.1	85.7	600	
75	230/460	1800	365T	MOT10603	MOT10651	94.1	86.4	600	Yes
75	575	1800	365T	MOT10619	MOT10667	94.1	85.0	600	
100	200	1800	404T	MOT10588	MOT10636	94.1	87.4	750	
100	230/460	1800	404T	MOT10604	MOT10652	94.1	87.5	750	Yes
100	575	1800	404T	MOT10620	MOT10668	94.1	87.8	750	

\*F1 construction: Conduit Box on left hand side of motor when facing motor shaft.  
 \*\*F2 construction: Conduit Box on right hand side of motor when facing motor shaft.

**General Purpose, Three Phase, Open Dripproof Premium Efficient**

**Features:**

- Exceeds EPACT '92 and NRCan efficiency standards
- Class F insulation system, class B rise at service factor
- NEMA Design B performance
- 56-320T rolled steel frame construction
- 360T-404T cast iron frame construction
- 1.15 service factor



*Typical 213T Frame, F1 construction*

HP	Voltage	RPM	Frame	ServiceFirst Item #	ServiceFirst Item #	Efficiency	Power Factor	Shipping
				F1*	F2**	Full Load	Full Load	Weight
1	200	1800	143T	MOT10669	MOT10717	85.5	72.0	35
1	230/460	1800	143T	MOT10685	MOT10733	85.5	73.0	35
1	575	1800	143T	MOT10701	MOT10749	84.0	69.0	35
1-1/2	200	1800	145T	MOT10670	MOT10718	86.5	73.5	40
1-1/2	230/460	1800	145T	MOT10686	MOT10734	86.5	70.6	40
1-1/2	575	1800	145T	MOT10702	MOT10750	86.5	70.6	40
2	200	1800	145T	MOT10671	MOT10719	86.5	77.0	45
2	230/460	1800	145T	MOT10687	MOT10735	86.5	74.7	45
2	575	1800	145T	MOT10703	MOT10751	86.5	74.7	45
3	200	1800	182T	MOT10672	MOT10720	89.5	80.0	50
3	230/460	1800	182T	MOT10688	MOT10736	90.2	78.9	50
3	575	1800	182T	MOT10704	MOT10752	90.2	79.6	50
5	200	1800	184T	MOT10673	MOT10721	89.5	81.0	60
5	230/460	1800	184T	MOT10689	MOT10737	89.5	81.0	60
5	575	1800	184T	MOT10705	MOT10753	89.5	81.2	60
7-1/2	200	1800	213T	MOT10674	MOT10722	91.7	84.2	90
7-1/2	230/460	1800	213T	MOT10690	MOT10738	91.7	82.3	90
7-1/2	575	1800	213T	MOT10706	MOT10754	91.0	85.6	90
10	200	1800	215T	MOT10675	MOT10723	91.7	83.5	100
10	230/460	1800	215T	MOT10691	MOT10739	91.0	82.8	100
10	575	1800	215T	MOT10707	MOT10755	91.0	84.3	100
15	200	1800	254T	MOT10676	MOT10724	93.0	81.6	150
15	230/460	1800	254T	MOT10692	MOT10740	93.0	81.6	150
15	575	1800	254T	MOT10708	MOT10756	92.4	82.2	150
20	200	1800	256T	MOT10677	MOT10725	93.6	83.0	160
20	230/460	1800	256T	MOT10693	MOT10741	93.6	82.7	160
20	575	1800	256T	MOT10709	MOT10757	93.0	84.0	160
25	200	1800	284T	MOT10678	MOT10726	94.1	86.0	300
25	230/460	1800	284T	MOT10694	MOT10742	85.3	85.2	300
25	575	1800	284T	MOT10710	MOT10758	94.1	86.1	300
30	200	1800	286T	MOT10679	MOT10727	94.1	94.1	85.3
30	230/460	1800	286T	MOT10695	MOT10743	94.1	94.1	86.2
30	575	1800	286T	MOT10711	MOT10759	86.2	94.1	85.3
40	200	1800	324T	MOT10680	MOT10728	94.5	86.2	385
40	230/460	1800	324T	MOT10696	MOT10744	94.5	86.2	385
40	575	1800	324T	MOT10712	MOT10760	94.5	85.7	385
50	200	1800	326T	MOT10681	MOT10729	94.5	87.2	415
50	230/460	1800	326T	MOT10697	MOT10745	94.5	87.2	415
50	575	1800	326T	MOT10713	MOT10761	94.5	86.2	415
60	200	1800	364T	MOT10682	MOT10730	95.0	85.6	580
60	230/460	1800	364T	MOT10698	MOT10746	94.5	85.8	580
60	575	1800	364T	MOT10714	MOT10762	95.0	85.9	580
75	200	1800	365T	MOT10683	MOT10731	95.0	85.7	600
75	230/460	1800	365T	MOT10699	MOT10747	95.0	86.0	600
75	575	1800	365T	MOT10715	MOT10763	95.0	85.7	600
100	200	1800	404T	MOT10684	MOT10636	94.1	85.6	750
100	230/460	1800	404T	MOT10700	MOT10748	95.4	87.4	750
100	575	1800	404T	MOT10716	MOT10764	95.4	87.4	750

\*F1 construction: Conduit Box on left hand side of motor when facing motor shaft.

\*\*F2 construction: Conduit Box on right hand side of motor when facing motor shaft.

**General Purpose, Three Phase, Totally Enclosed Fan Cooled EPACT Energy Efficient**

**Features:**

- Fully comply with EPACT '92 and NRCan efficiency standards
- Suitable for wye-delta start on 250T frame and larger
- Dual voltage ratings suitable for part wind start on lower voltage
- Full 50 and 60 Hz operating data on nameplate (Yes 50 Hz)
- Voltage on 50 Hz is 190/380

- Class F insulation system, class B rise at service factor
- NEMA design B performance (60Hz)
- 140T steel frame construction
- 180T-280T aluminum frame construction
- 320T-405T Cast iron frame construction
- 1.15 service factor @ 60 Hz, 1.0 @ 50 Hz



*Typical 320T Frame, F1 Construction*

HP	Voltage	RPM	Frame	ServiceFirst Item # F1*	ServiceFirst Item # F2**	Efficiency Full Load	Power Factor Full Load	Shipping Weight	50HZ Capable
1	200	1800	143T	MOT10765	MOT10813	82.5	76.2	65	
1	208-230/460	1800	143T	MOT10781	MOT10829	82.5	76.2	65	Yes
1	575	1800	143T	MOT10797	MOT10845	82.5	76.1	65	
1-1/2	200	1800	145T	MOT10766	MOT10814	84.0	77.4	70	
1-1/2	208-230/460	1800	145T	MOT10782	MOT10830	84.0	77.0	70	Yes
1-1/2	575	1800	145T	MOT10798	MOT10846	84.0	75.7	70	
2	200	1800	145T	MOT10767	MOT10815	84.0	74.9	70	
2	208-230/460	1800	145T	MOT10783	MOT10831	84.0	75.8	70	Yes
2	575	1800	145T	MOT10799	MOT10847	84.0	75.9	70	
3	200	1800	182T	MOT10768	MOT10816	87.5	79.4	100	
3	208-230/460	1800	182T	MOT10784	MOT10832	87.5	79.3	100	Yes
3	575	1800	182T	MOT10800	MOT10848	87.5	78.7	100	
5	200	1800	184T	MOT10769	MOT10817	87.5	83.6	110	
5	208-230/460	1800	184T	MOT10785	MOT10833	87.5	83.6	110	Yes
5	575	1800	184T	MOT10801	MOT10849	87.5	83.5	110	
7-1/2	200	1800	213T	MOT10770	MOT10818	89.5	82.8	160	
7-1/2	208-230/460	1800	213T	MOT10786	MOT10834	89.5	82.9	160	Yes
7-1/2	575	1800	213T	MOT10802	MOT10850	89.5	83.4	160	
10	200	1800	215T	MOT10771	MOT10819	89.5	83.9	175	
10	208-230/460	1800	215T	MOT10787	MOT10835	89.5	83.7	175	Yes
10	575	1800	215T	MOT10803	MOT10851	89.5	83.7	175	
15	200	1800	254T	MOT10772	MOT10820	91.0	83.3	300	
15	208-230/460	1800	254T	MOT10788	MOT10836	91.0	83.5	300	Yes
15	575	1800	254T	MOT10804	MOT10852	91.0	83.9	300	
20	200	1800	256T	MOT10773	MOT10821	91.0	84.2	360	
20	208-230/460	1800	256T	MOT10789	MOT10837	91.0	83.8	360	Yes
20	575	1800	256T	MOT10805	MOT10853	91.0	83.7	360	
25	200	1800	284T	MOT10774	MOT10822	92.4	85.0	390	
25	208-230/460	1800	284T	MOT10790	MOT10838	92.4	84.8	390	Yes
25	575	1800	284T	MOT10806	MOT10854	92.4	85.8	390	
30	200	1800	286T	MOT10775	MOT10823	92.4	85.4	440	
30	230/460	1800	286T	MOT10791	MOT10839	92.4	85.2	440	Yes
30	575	1800	286T	MOT10807	MOT10855	92.4	84.8	440	
40	200	1800	324T	MOT10776	MOT10824	93.0	87.7	600	
40	230/460	1800	324T	MOT10792	MOT10840	93.0	87.6	600	Yes
40	575	1800	324T	MOT10808	MOT10856	93.0	87.6	600	
50	200	1800	326T	MOT10777	MOT10825	93.0	88.2	610	
50	230/460	1800	326T	MOT10793	MOT10841	93.0	88.2	610	Yes
50	575	1800	326T	MOT10809	MOT10857	93.0	88.2	610	
60	200	1800	364T	MOT10778	MOT10826	93.6	85.8	825	
60	230/460	1800	364T	MOT10794	MOT10842	93.6	85.7	825	Yes
60	575	1800	364T	MOT10810	MOT10858	93.6	86.2	825	
75	200	1800	365T	MOT10779	MOT10827	94.1	85.4	910	
75	230/460	1800	365T	MOT10795	MOT10843	94.1	87.2	910	Yes
75	575	1800	365T	MOT10811	MOT11859	94.1	86.3	910	
100	200	1800	405T	MOT10780	MOT10828	94.5	85.5	1250	
100	230/460	1800	405T	MOT10796	MOT10844	94.5	87.4	1250	Yes
100	575	1800	405T	MOT10812	MOT10860	94.5	85.3	1250	

\*F1 construction: Conduit Box on left hand side of motor when facing motor shaft.

\*\*F2 construction: Conduit Box on right hand side of motor when facing motor shaft.

**General Purpose, Three Phase, Totally Enclosed Fan Cooled Premium Efficient**

**Features:**

- Exceeds EPACT '92 and NRCan efficiency standards
- Class F insulation system, class B rise at service factor
- NEMA Design B performance (60Hz)
- 140T steel frame construction
- 180T-280T aluminum frame construction
- 320T-405T cast iron frame construction
- 1.15 service factor



*Typical 320T Frame, F1 Construction*

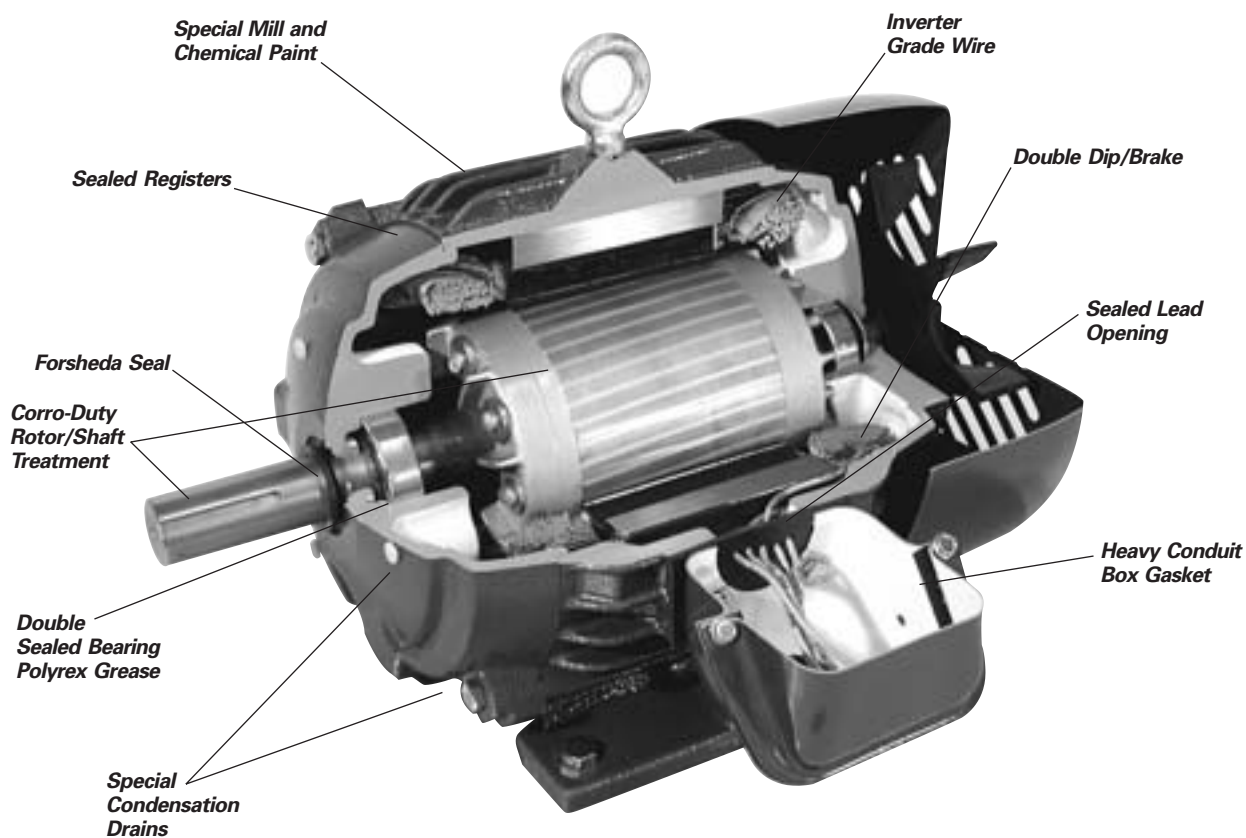
HP	Voltage	RPM	Frame	ServiceFirst Item # F1*	ServiceFirst Item # F2**	Efficiency Full Load	Power Factor Full Load	Shipping Weight
1	200	1800	143T	MOT10861	MOT10909	86.5	78.0	45
1	230/460	1800	143T	MOT10877	MOT10925	86.5	78.0	45
1	575	1800	143T	MOT10893	MOT10941	86.5	78.7	45
1-1/2	200	1800	145T	MOT10862	MOT10910	86.5	77.3	47
1-1/2	230/460	1800	145T	MOT10878	MOT10926	86.5	77.3	47
1-1/2	575	1800	145T	MOT10894	MOT10942	86.5	77.6	47
2	200	1800	145T	MOT10863	MOT10911	86.5	78.6	50
2	230/460	1800	145T	MOT10879	MOT10927	86.5	79.0	50
2	575	1800	145T	MOT10895	MOT10943	86.5	78.6	50
3	200	1800	182T	MOT10864	MOT10912	89.5	79.0	85
3	230/460	1800	182T	MOT10880	MOT10928	89.5	79.0	85
3	575	1800	182T	MOT10896	MOT10944	88.5	80.0	85
5	200	1800	184T	MOT10865	MOT10913	90.2	83.4	100
5	230/460	1800	184T	MOT10881	MOT10929	90.2	83.4	100
5	575	1800	184T	MOT10897	MOT10945	90.2	83.0	100
7-1/2	200	1800	213T	MOT10866	MOT10914	91.7	84.5	150
7-1/2	230/460	1800	213T	MOT10882	MOT10930	91.7	84.5	150
7-1/2	575	1800	213T	MOT10898	MOT10946	91.0	85.0	150
10	200	1800	215T	MOT10867	MOT10915	91.7	86.5	190
10	230/460	1800	215T	MOT10883	MOT10931	91.7	86.5	190
10	575	1800	215T	MOT10899	MOT10947	91.7	86.5	190
15	200	1800	254T	MOT10868	MOT10916	93.0	82.5	300
15	230/460	1800	254T	MOT10884	MOT10932	93.0	82.5	300
15	575	1800	254T	MOT10900	MOT10948	93.0	83.0	300
20	200	1800	256T	MOT10869	MOT10917	93.6	85.0	310
20	230/460	1800	256T	MOT10885	MOT10933	93.6	85.0	310
20	575	1800	256T	MOT10901	MOT10949	93.6	85.0	310
25	200	1800	284T	MOT10870	MOT10918	93.6	85.0	355
25	230/460	1800	284T	MOT10886	MOT10934	93.6	85.5	355
25	575	1800	284T	MOT10902	MOT10950	93.6	86.0	355
30	200	1800	286T	MOT10871	MOT10919	94.1	86.5	400
30	230/460	1800	286T	MOT10887	MOT10935	94.1	86.5	400
30	575	1800	286T	MOT10903	MOT10951	94.1	87.0	400
40	200	1800	324T	MOT10872	MOT10920	94.1	86.5	550
40	230/460	1800	324T	MOT10888	MOT10936	94.1	86.5	550
40	575	1800	324T	MOT10904	MOT10952	94.1	86.5	550
50	200	1800	326T	MOT10873	MOT10921	94.5	88.3	625
50	230/460	1800	326T	MOT10889	MOT10937	94.1	88.3	625
50	575	1800	326T	MOT10905	MOT10953	94.1	88.3	625
60	200	1800	364T	MOT10874	MOT10922	95.0	84.0	825
60	230/460	1800	364T	MOT10890	MOT10938	95.0	84.0	825
60	575	1800	364T	MOT10906	MOT10954	95.0	85.5	825
75	200	1800	365T	MOT10875	MOT10923	95.4	85.7	890
75	230/460	1800	365T	MOT10891	MOT10939	95.4	87.5	890
75	575	1800	365T	MOT10907	MOT10955	95.4	87.5	890
100	200	1800	405T	MOT10876	MOT10924	95.4	84.0	1200
100	230/460	1800	405T	MOT10892	MOT10940	95.4	85.4	1200
100	575	1800	405T	MOT10908	MOT10956	95.4	85.4	1200

\*F1 construction: Conduit Box on left hand side of motor when facing motor shaft.

\*\*F2 construction: Conduit Box on right hand side of motor when facing motor shaft.

## New Cooling Tower Duty Motor A Premium Plus Product

- Cast Iron Construction (140 frame rolled steel)
- Inverter Grade Wire
- 100% Solids Polyester Varnish (Double Dip)
- Double Sealed Ball Bearings
- Exxon Polyrex EM Grease
- Heavy Gasketed Conduit Box and Cover
- Sealed Bracket-to-Frame Registers and Lead Openings
- Forsheda V-Ring
- Umbrella-Type Seal for Shaft-up Mounting
- Condensation Drains for Multi-Position Mount





**Special Application Three Phase, TEFC, Cooling Tower Duty Energy Efficient, 2-speed, 1-and 2-winding**

**Features:**

- Pulse Endurance “Tough Coat” Inverter Grade® Wire
- NEMA Design B performance (4)
- Class F insulation, 1.15 Service Factor @ 60Hz
- 40°C ambient continuous duty
- Exxon Polyrex EM® grease
- Double Dip and Bake 100% Solids Insulation on Windings
- Double sealed bearings
- Cast iron end-shields
- Corrosion resistant mill and chemical duty paint
  - Corro-Duty Treatment on Rotor and Shaft
- Forsheda V-Ring on pulley end for IP 54 protection
- External Umbrella-Type Seal for W-8 (Shaft Up) Mount
- Stainless steel nameplate and zinc plated hardware
- Cast iron frame construction 180T frame and larger, steel frame construction 140T frame
- Designed for Horizontal or Vertical (Shaft Up) Mounting
  - Condensation drains with plastic plugs
  - Horizontal Lifting Provisions on 180T frame and larger
  - Vertical Lifting Lugs Available with Conversion
- Suitable for Direct-Connected or Belted Loads (per NEMA specifications and tolerances)
- Heavy Gasketed Conduit Box, F-2 Position Standard
  - Convertible to F-1 Position as USEM Conversion



**Typical 184T Frame**

- Sealed Bracket-to-Frame Registers and Leads
  - Lead-positioning Gasket with Sealant 140T-250T frame
  - Potted Leads 280T frame and larger
- Additional Options Available (See “Conversions - Modifications - Accessories” Section)

HP (High)	HP (Low)	Volts	RPM	Number of Windings	Frame	ServiceFirst Item #	Efficiency Full Load	Power Factor Full Load	Shipping Weight
2	0.5	200	1800/900	1	145T	MOT11274	82.5	76.4	70
3	0.75	200	1800/900	1	182T	MOT11275	83.5	78.3	100
3	0.75	460	1800/900	1	182T	MOT11276	82.5	78.9	100
5	1.25	200	1800/900	1	184T	MOT11277	84.0	82.9	110
5	1.25	200	1800/900	2	215T	MOT11278	88.5	79.7	175
5	1.25	460	1800/900	1	184T	MOT11279	84.0	84.0	110
5	1.25	460	1800/900	2	215T	MOT11280	88.5	79.7	175
5	1.25	575	1800/900	1	184T	MOT11281	84.0	83.8	110
5	1.25	460	1200/600	1	254T	MOT11282	85.5	64.6	300
7.5	1.875	200	1800/900	1	213T	MOT11283	85.5	83.7	160
7.5	1.875	200	1800/900	2	254T	MOT11284	88.5	77.8	300
7.5	1.875	460	1800/900	2	254T	MOT11285	88.5	77.8	300
7.5	1.875	460	1800/900	1	213T	MOT11286	85.5	83.7	160
7.5	1.875	575	1800/900	1	213T	MOT11287	85.5	83.7	160
7.5	1.875	460	1200/600	1	256T	MOT11288	85.5	75.6	340
10	2.5	200	1800/900	2	256T	MOT11289	89.5	82.4	360
10	2.5	200	1800/900	1	215T	MOT11290	86.5	83.6	175
10	2.5	460	1800/900	2	256T	MOT11291	91.0	81.6	360
10	2.5	460	1800/900	1	215T	MOT11292	86.5	82.7	175
10	2.5	575	1800/900	2	256T	MOT11293	89.5	76.4	360
10	2.5	575	1800/900	1	215T	MOT11294	86.5	82.9	175
10	2.5	460	1200/600	1	284T	MOT11295	87.5	74.3	380
15	3.75	200	1800/900	2	284T	MOT11296	90.2	83.8	390
15	3.75	200	1800/900	1	254T	MOT11297	89.5	81.1	300
15	3.75	460	1800/900	2	284T	MOT11298	90.2	83.8	390
15	3.75	460	1800/900	1	254T	MOT11205	89.5	81.1	300
15	3.75	575	1800/900	1	254T	MOT11299	89.5	81.1	300
15	3.75	575	1800/900	2	284T	MOT11300	90.2	83.8	390
15	3.75	460	1200/600	1	286T	MOT11301	88.5	75.4	410
20	5	200	1800/900	2	286T	MOT11302	91.0	79.9	440
20	5	200	1800/900	1	256T	MOT11303	90.2	79.4	360
20	5	460	1800/900	2	286T	MOT11304	91.0	79.9	440
20	5	460	1800/900	1	256T	MOT11305	90.2	79.4	360
20	5	575	1800/900	1	256T	MOT11306	90.2	79.4	360
20	5	575	1800/900	2	286T	MOT11307	91.0	79.9	440
20	5	460	1200/600	1	324T	MOT11309	88.5	77.8	600

HP (High)	HP (Low)	Volts	RPM	Number of Windings	Frame	ServiceFirst Item #	Efficiency Full Load	Power Factor Full Load	Shipping Weight
25	6.25	200	1800/900	1	286T	MOT11310	91.0	83.9	440
25	6.25	200	1800/900	2	324T	MOT11311	91.7	82.4	600
25	6.25	460	1800/900	1	286T	MOT11215	91.0	83.9	440
25	6.25	460	1800/900	2	324T	MOT11312	91.7	82.4	600
25	6.25	575	1800/900	1	286T	MOT11313	91.0	83.9	440
25	6.25	575	1800/900	2	324T	MOT11314	91.7	82.4	600
25	6.25	460	1200/600	1	326T	MOT11315	89.5	70.8	675
30	7.5	200	1800/900	1	324T	MOT11316	91.7	87.3	600
30	7.5	200	1800/900	2	326T	MOT11317	92.4	83.3	610
30	7.5	460	1800/900	2	326T	MOT11318	92.4	83.3	610
30	7.5	460	1800/900	1	324T	MOT11319	91.7	87.3	600
30	7.5	575	1800/900	1	324T	MOT11320	91.7	87.3	600
30	7.5	460	1200/600	1	364T	MOT11321	90.2	74.6	875
40	10	200	1800/900	1	326T	MOT11322	91.7	87.3	610
40	10	460	1800/900	1	326T	MOT11323	91.7	87.4	610
40	10	460	1800/900	2	364T	MOT11324	92.4	79.0	810
40	10	575	1800/900	2	364T	MOT11325	92.4	79.0	810
40	10	575	1800/900	1	326T	MOT11326	91.7	87.4	610
40	10	460	1200/600	1	365T	MOT11327	91.0	76.5	900
50	12.5	200	1800/900	2	365T	MOT11328	92.4	85.1	925
50	12.5	200	1800/900	1	364T	MOT11329	91.7	85.8	825
50	12.5	460	1800/900	1	364T	MOT11330	92.4	80.8	810
50	12.5	460	1800/900	2	365T	MOT11331	92.8	80.0	925
50	12.5	575	1800/900	1	364T	MOT11332	91.7	85.9	825
60	15	200	1800/900	1	365T	MOT11333	93.0	85.1	910
60	15	460	1800/900	1	365T	MOT11334	93.0	84.8	925
60	15	575	1800/900	1	365T	MOT11335	93.0	84.8	910
75	18.75	200	1800/900	1	405T	MOT11336	93.0	83.3	1250
75	18.75	460	1800/900	1	405T	MOT11337	93.0	83.3	1260

**Special Application Three Phase, TEAO, Cooling Tower Duty Energy Efficient, 2-speed, 1-and 2-winding**

**Features:**

- Pulse Endurance “Tough Coat” Inverter Grade® Wire
- NEMA Design B performance
  - **See Min. Air Velocity Chart This Section**
- Class F insulation, 1.15 Service Factor @ 60Hz
- 40°C ambient continuous duty
- Exxon Polyrex EM® grease
- Double Dip and Bake 100% Solids Insulation on Windings
- Double sealed bearings
- Cast iron end-shields
- Corrosion resistant mill and chemical duty paint
  - Corro-Duty Treatment on Rotor and Shaft
- Forsheda V-Ring on pulley end for IP 54 protection
- External Umbrella-Type Seal for W-8/W-5 Mount
- Stainless steel nameplate and zinc plated hardware
- Exxon Polyrex EM® grease
- Cast iron frame construction 180T frame and larger, steel frame construction 140T frame
- Designed for Horizontal or Vertical (Shaft Up or Down) Mounting
  - Condensation drains with plastic plugs
  - Horizontal and Vertical Lifting Provisions on 180T frame and larger
- Suitable for Direct-Connected or Belted Loads (per NEMA specifications and tolerances)
- Heavy Gasketed Conduit Box, F-1 Position Standard



**Typical 184T Frame**

- Convertible to F-2 Position as USEM Conversion
- Sealed Bracket-to-Frame Registers and Leads
  - Lead-positioning Gasket with Sealant 140T-250T frame
  - Potted Leads 280T frame and larger
- Additional Options Available (See “Conversions - Modifications - Accessories” Section)

HP (High)	HP (Low)	Volts	RPM	Number of Windings	Frame	ServiceFirst Item #	Efficiency Full Load	Power Factor Full Load	Shipping Weight
2	0.5	460	1800/900	1	145T	MOT11338	82.5	76.4	70
2	0.5	575	1800/900	1	145T	MOT11339	82.5	76.4	70
2	0.5	460	1200/600	2	215T	MOT11340	82.8	77.9	175
3	0.75	200	1800/900	1	182T	MOT11341	82.5	79.4	100
3	0.75	460	1800/900	1	182T	MOT11342	82.5	78.9	100
3	0.75	575	1800/900	1	182T	MOT11343	82.5	79.9	100
3	0.75	460	1200/600	1	215T	MOT11344	82.5	78.2	175
5	1.25	200	1800/900	2	215T	MOT11345	88.5	79.7	175
5	1.25	200	1800/900	1	184T	MOT11346	84.0	82.9	110
5	1.25	460	1800/900	2	215T	MOT11347	88.5	79.7	175
5	1.25	460	1800/900	1	184T	MOT11348	84.0	84.0	110
5	1.25	200	1200/600	1	254T	MOT11349	86.5	76.7	300
5	1.25	460	1200/600	1	254T	MOT11350	85.5	64.6	300
7.5	1.875	200	1800/900	2	254T	MOT11351	88.5	77.8	300
7.5	1.875	200	1800/900	1	213T	MOT11352	85.5	83.0	160
7.5	1.875	460	1800/900	2	254T	MOT11353	88.5	77.8	300
7.5	1.875	460	1800/900	1	213T	MOT11354	85.5	83.7	160
7.5	1.875	575	1800/900	1	213T	MOT11355	85.5	83.1	160
7.5	1.875	460	1200/600	1	256T	MOT11356	85.5	63.0	340
7.5	1.875	460	1200/600	2	284T	MOT11357	84.0	76.5	390
10	2.5	200	1800/900	2	256T	MOT11358	89.5	82.4	360
10	2.5	200	1800/900	1	215T	MOT11359	86.5	83.6	175
10	2.5	460	1800/900	2	256T	MOT11360	89.5	82.4	360
10	2.5	460	1800/900	1	215T	MOT11361	86.5	82.7	175
10	2.5	575	1800/900	1	215T	MOT11362	87.5	84.1	175
10	2.5	200	1200/600	1	284T	MOT11363	87.5	76.8	380
10	2.5	460	1200/600	2	286T	MOT11364	84.0	78.5	440
10	2.5	460	1200/600	1	284T	MOT11365	87.5	76.8	380
15	3.75	200	1800/900	2	284T	MOT11366	90.2	83.8	390
15	3.75	200	1800/900	1	254T	MOT11372	89.5	81.1	300
15	3.75	460	1800/900	2	284T	MOT11373	90.2	83.8	390
15	3.75	460	1800/900	1	254T	MOT11374	89.5	81.1	300
15	3.75	575	1800/900	2	284T	MOT11375	90.2	83.8	390
15	3.75	575	1800/900	1	254T	MOT11376	89.5	81.1	300
15	3.75	200	1200/600	1	286T	MOT11377	88.5	80.1	410

HP (High)	HP (Low)	Volts	RPM	Number of Windings	Frame	ServiceFirst Item #	Efficiency Full Load	Power Factor Full Load	Shipping Weight
15	3.75	460	1200/600	1	286T	MOT11378	88.5	80.1	410
15	3.75	460	1200/600	2	324T	MOT11379	86.5	77.4	600
20	5	200	1800/900	1	256T	MOT11231	90.2	79.4	360
20	5	200	1800/900	2	286T	MOT11380	91.0	79.9	440
20	5	460	1800/900	2	286T	MOT11381	91.0	79.9	440
20	5	460	1800/900	1	256T	MOT11382	90.2	79.4	360
20	5	575	1800/900	2	286T	MOT11383	91.0	79.9	440
20	5	575	1800/900	1	256T	MOT11384	90.2	79.4	360
20	5	200	1200/600	1	324T	MOT11385	88.5	82.3	600
20	5	460	1200/600	2	326T	MOT11386	87.5	78.7	610
20	5	460	1200/600	1	324T	MOT11387	88.5	82.3	600
25	6.25	200	1800/900	2	324T	MOT11388	91.7	82.4	600
25	6.25	200	1800/900	1	286T	MOT11389	91.0	83.9	440
25	6.25	460	1800/900	2	324T	MOT11390	91.7	82.4	600
25	6.25	460	1800/900	1	286T	MOT11391	91.0	83.9	440
25	6.25	575	1800/900	1	286T	MOT11392	91.0	84.0	440
25	6.25	575	1800/900	2	324T	MOT11393	91.7	82.4	600
25	6.25	200	1200/600	1	326T	MOT11394	89.5	70.8	675
25	6.25	460	1200/600	2	364T	MOT11395	88.5	76.4	810
25	6.25	460	1200/600	1	326T	MOT11396	89.5	70.8	675
30	7.5	200	1800/900	1	324T	MOT11397	91.7	87.4	600
30	7.5	200	1800/900	2	326T	MOT11398	92.4	83.3	610
30	7.5	460	1800/900	2	326T	MOT11399	92.4	83.3	610
30	7.5	460	1800/900	1	324T	MOT11400	91.7	87.4	600
30	7.5	575	1800/900	1	324T	MOT11401	91.7	87.4	600
30	7.5	200	1200/600	1	364T	MOT11402	90.2	75.6	875
30	7.5	460	1200/600	1	364T	MOT11403	90.2	75.6	875
40	10	200	1800/900	1	326T	MOT11411	91.7	87.3	610
40	10	200	1800/900	2	364T	MOT11404	92.4	79.0	810
40	10	460	1800/900	2	364T	MOT11405	92.4	79.0	810
40	10	460	1800/900	1	326T	MOT11406	91.7	87.3	610
40	10	575	1800/900	1	326T	MOT11415	91.7	87.3	610
40	10	575	1800/900	2	326T	MOT11407	92.4	79.0	610
40	10	200	1200/600	1	365T	MOT11408	91.0	73.4	900
40	10	460	1200/600	2	404T	MOT11409	90.2	73.7	1050
40	10	460	1200/600	1	365T	MOT11410	91.0	73.4	900
50	12.5	200	1800/900	2	365T	MOT11412	92.4	85.1	910
50	12.5	200	1800/900	1	364T	MOT11414	92.4	85.8	825
50	12.5	460	1800/900	1	364T	MOT11416	92.4	80.8	810
50	12.5	460	1800/900	2	365T	MOT11413	92.4	85.1	925
50	12.5	575	1800/900	1	364T	MOT11417	92.4	85.9	825
50	12.5	200	1200/600	1	404T	MOT11418	91.7	74.8	1050
50	12.5	460	1200/600	1	404T	MOT11419	91.7	74.8	1050
60	15	200	1800/900	1	365T	MOT11420	93.0	85.2	910
60	15	460	1800/900	1	365T	MOT11421	93.0	84.8	925
60	15	575	1800/900	1	365T	MOT11422	93.0	84.8	910
75	18.75	200	1800/900	2	405T	MOT11423	93.0	84.1	1660
75	18.75	200	1800/900	1	405T	MOT11424	93.6	85.7	1250
75	18.75	460	1800/900	1	405T	MOT11425	93.0	83.3	1260
75	18.75	460	1800/900	2	405T	MOT11426	93.0	84.1	1660
100	25	200	1800/900	1	444T	MOT11427	93.0	84.8	1675
100	25	460	1800/900	1	444T	MOT11428	93.0	84.8	1675

## The Nameplate tells the story

### Model or Catalog Number

- One of the most important items on the nameplate of a motor that needs to be replaced.

### Rated Volts

The most frequently occurring domestic voltages are 230 and 460. In Canada 575 volts is common.

Standard induction motors are designed to tolerate voltage variations plus or minus 10%. A motor with a nameplate voltage rating of 230 could be expected to give satisfactory performance when supplied with power ranging from a low value of 207 to a high extreme of 253 volts.

### Rated Frequency and Number of Phases

This indicates the frequency for which the motor is designed in Hertz (cycles per second). 60 Hz power is utilized throughout the United States, Canada and most of Latin America. 60 Hertz is also used in a few foreign countries; however, 50 Hertz is dominant elsewhere. If motor is used in U.S., you don't need a 50/60 Hz rating. A 3 phase motor can't be used on single phase.

### Rated Full Load Speed

The speed at which the motor will run under full torque conditions when applied voltage and frequency are held constant at the rated values. On standard induction motors, the rated full load speed will normally be between 94 and 96% of synchronous speed. Match the rated speed within 3%.

Rated Speed	Synchronous Speed	Number of Poles
3450	3600	2
1725	1800	4
1140	1200	6
850	900	8

The formula for obtaining the synchronous speed is:

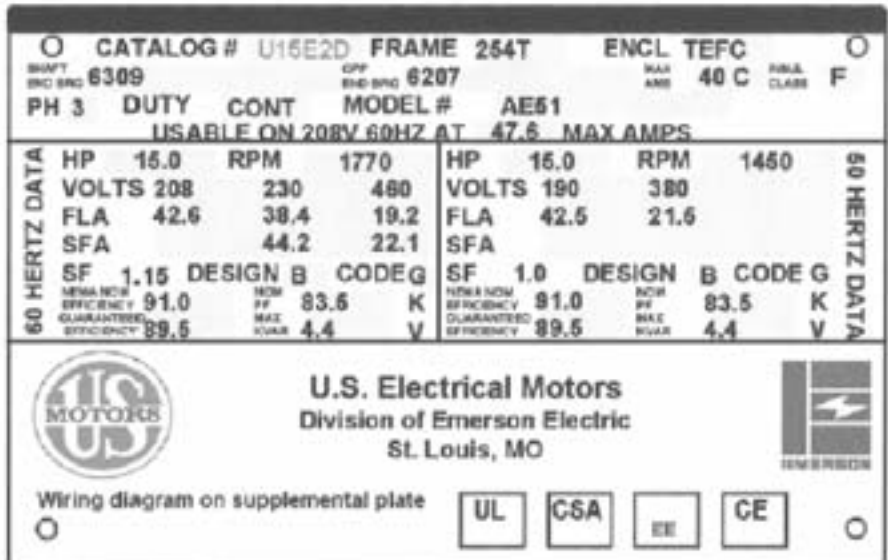
$$S = \frac{120 \times F}{P}$$

Where:

S = Speed in revolutions per minute

F = Frequency in Hertz

P = Number of poles in motor



### Rated Ambient

Heat is a Critical Item Relating to Life.

The maximum allowable safe operating temperature occurring at the hottest spot within a motor is determined by:

1. The thermal capability of all the insulating materials used within the motor. This is insulation class and is on the nameplate.
2. The heat created within the motor due to losses. This is the temperature rise and not on the nameplate.
3. The temperature of the air surrounding the motor. This is the ambient temperature and is on the nameplate. Common Ambient is 40°C.

Matching the Rated Ambient is the most important.

### Time Rating

General purpose motors will be rated for continuous duty. You can always replace a motor which is not designed for continuous duty with one that is designed for continuous duty.

### Rated Horsepower

This represents the rated mechanical power output. When application horsepower requirements fall between two standardized values, choose the larger size. This adds a margin of safety that will reduce the motor's operating temperature rise and extend the operating life of the motor.

### Standard Horsepower Ratings 1 thru 100 HP

1	30
1-1/2	40
2	50
3	60
5	75
7-1/2	100
10	
15	
20	
25	

### Motor Service Factor

- An AC motor is suitable for continuous operation at rated load under usual service conditions. When the voltage and frequency are maintained, the motor may be overloaded up to the horsepower obtained by multiplying the rated horsepower by the service factor shown on the nameplate. 3 HP X 1.15 = 3.45 HP
- If a motor has a service factor, replace it with one that has an equal or better service factor or go to the next highest HP.

### Purposes

- To accommodate inaccuracy in predicting system horsepower needs.
- To lengthen insulation life by lowering winding temperature at rated load.
- To handle intermittent or occasional overloads.
- To allow occasionally for ambient above 40°C.
- To compensate for low or unbalanced supply voltages. Use 230 volt motor with service factor for 200 volt line.

### Enclosure Types

The motor enclosure must protect the windings, bearings and other mechanical parts from moisture, chemicals, mechanical damage and abrasion from grit. The most popular types of enclosures are:

- **Open Dripproof**

The ODP motor has a free exchange of air with the ambient; drops of liquid or solid particles do not interfere with the operation at any angle from 0 to 15° downward from the vertical. You can use an enclosed motor for replacement in a pinch.

- **Totally Enclosed Fan Cooled**

The TEFC type enclosure prevents free air exchange but still breathes air. A fan is attached to a stub shaft at the opposite load end and pushes air over the frame during operation to help in the cooling process. You cannot use an open motor to replace it.

- **Explosionproof**

The Explosionproof type motor is totally enclosed and designed to withstand an explosion of a specified gas or vapor inside the motor casing and prevent the ignition outside the motor by sparks, flashing, or explosion. Type C, D, E, F, G. You must replace this exactly.

- **WPI & WPIL**

These are modified ODPs, with filters, screens, guarded pipe-vent, etc.

- **Totally Enclosed Non-Ventilated**

The TENV enclosure does not utilize a fan for cooling - but is used in situations where no air is being blown over the motor shell for cooling.

- **Totally Enclosed Air Over**

This motor relies on the driven fan load to provide cooling air. Do not use in other applications.

### Frame Designation-Size

- Motor frame dimensions have been standardized with a uniform frame size numbering system. Based on enclosure, horsepower and speed.
- The NEMA system for designating frames consists of a series of numbers in combination with letters:
  - For Integral HP motors, the first two digits of the frame number are equal to four times the D dimension (shaft height). 256 frame has a shaft height of 25/4 or 6.25".

- The third and, when required, the fourth digit of the frame number is obtained from the value of 2F (distance between mounting holes when viewed from side).
- Covers from 143T to 445T, most motors in the range of 1 through 200 horsepower.

- You must use the same frame size.

### Frame Designation-Types

- **"T" Frame**

- Current NEMA standard
- Re-rated (frame size reduction) because of advancements in motor technology relating mainly to higher temperature ratings of insulating materials, improved magnetic steels and improved bearings

- **"U" Frame**

- Used between 1952 and 1964
- In many automotive manufacturing and some process industries, there is still a preference for the "U" frame. Frame is larger, more material, than an equivalent "T" frame motor

- **"Original" Frame**

- Pre-1952

### Frame Designation-Suffixes

- The following letters immediately follow the frame number to denote variations:
  - C Type C Face Mounting
  - D Type D Flange Mounting
  - HP, HPH, Type P Flange Mounting for LP, LPH Vertical Solid Shaft
  - P, PH Type P Flange Mounting for Vertical Hollow Shaft
  - JM, JP Type C Face Close Coupled Pump Mounting
  - S Standard short shaft for direct connection
  - T Current NEMA frame designation
  - U "U" Frame Automotive Duty Vertical Mounting
  - V Vertical Mounting
  - VP Type P Flange Mounting for Vertical Solid Shaft
  - Y Special Mounting Dimensions. Be careful of these.
  - Z Standard Mounting Dimensions except Shaft Extension. Be careful of these.

Your replacement must have the same suffix letters.

### Torque Characteristics

- Design A (and Design E)
  - Normal Starting Torque
  - High Starting Current
  - Brief heavy overloads, such as an injection molding machine. Can use B.
- Design B
  - Normal Starting Torque
  - Low Starting Current
  - General purpose applications. Superstandard. Replaces A & E.
- Design C
  - High Starting Torque
  - Low Starting Current
  - Starting heavy loads. Cannot use B.
- Design D
  - High Starting Torque
  - Low Starting Current/ High Slip
  - High slip, such as a low speed punch press with a heavy flywheel, or hoisting applications. Cannot use B.

### Additional Nameplate Data

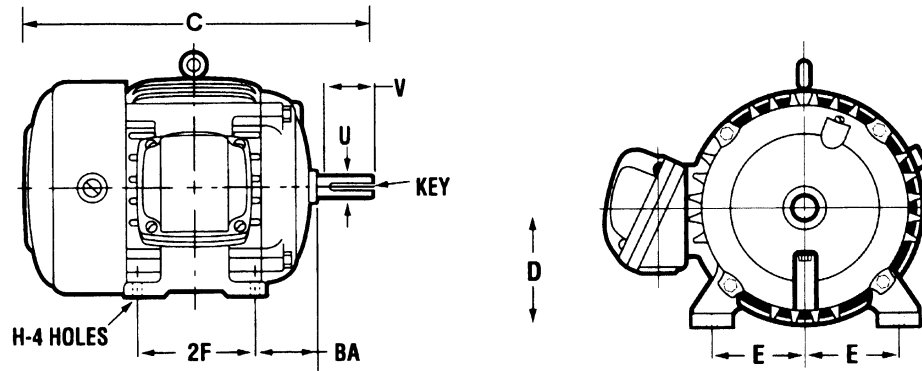
- **Bearing Part Numbers**

- Bearing part numbers are shown on the nameplate so that, when required, procurement of replacement bearings can be made prior to taking the motor offline.
- You should not use a replacement motor with a smaller size bearing.

- **Unique or Special Features**

- This information could include special features such as refined balance, special insulation treatments, space heaters, internal motor overheat protection or any of many other special construction features.
- If the motor to be replaced has these, your replacement should also. This is particularly true of overheat protection.

**T & U Frame  
NEMA Dimensions**



Frame	D	E	2F	H	U	BA	V min.	Key Width	Key Thickness	Key Length	C
48	3.00	2.13	2.75	0.34	0.50	2.50	-	-	0.05	-	-
56	3.50	2.44	3.00	0.34	0.63	2.75	-	0.19	0.19	1.38	-
143T	3.50	2.75	4.00	0.34	0.88	2.25	2.00	0.19	0.19	1.38	-
145T	3.50	2.75	5.00	0.34	0.88	2.25	2.00	0.19	0.19	1.38	-
182	4.50	3.75	4.50	0.41	0.88	2.75	2.00	0.19	0.19	1.38	14.09
182T	4.50	3.75	4.50	0.41	1.13	2.75	2.50	0.25	0.25	1.75	-
184	4.50	3.75	5.50	0.41	0.88	2.75	2.00	0.19	0.19	1.38	15.00
184T	4.50	3.75	5.50	0.41	1.13	2.75	2.50	0.25	0.25	1.75	-
213	5.25	4.25	5.50	0.41	1.13	3.50	2.75	0.25	0.25	2.00	18.44
213T	5.25	4.25	5.50	0.41	1.38	3.50	3.13	0.31	0.31	2.38	-
215	5.25	4.25	7.00	0.41	1.13	3.50	2.75	0.25	0.25	2.00	19.94
215T	5.25	4.25	7.00	0.41	1.38	3.50	3.13	0.31	0.31	2.38	-
254U	6.25	5.00	8.25	0.53	1.38	4.25	3.50	0.31	0.31	2.75	23.50
254T	6.25	5.00	8.25	0.53	1.63	4.25	3.75	0.38	0.38	2.88	-
256U	6.25	5.00	10.00	0.53	1.38	4.25	3.50	0.31	0.31	2.75	25.25
256T	6.25	5.00	10.00	0.53	1.63	4.25	3.75	0.38	0.38	2.88	-
284U	7.00	5.50	9.50	0.53	1.63	4.75	4.63	0.38	0.38	3.75	26.38
284T	7.00	5.50	9.50	0.53	1.88	4.75	4.38	0.50	0.50	3.25	-
284TS	7.00	5.50	9.50	0.53	1.63	4.75	3.00	0.38	0.38	1.88	-
286U	7.00	5.50	11.00	0.53	1.63	4.75	4.63	0.38	0.38	3.75	27.88
286T	7.00	5.50	11.00	0.53	1.88	4.75	4.38	0.50	0.50	3.25	-
286TS	7.00	5.50	11.00	0.53	1.63	4.75	3.00	0.38	0.38	1.88	-
324U	8.00	6.25	10.50	0.66	1.88	5.25	5.38	0.50	0.50	4.25	30.94
324T	8.00	6.25	10.50	0.66	2.13	5.25	5.00	0.50	0.50	3.88	-
324TS	8.00	6.25	10.50	0.66	1.88	5.25	3.50	0.50	0.50	2.00	-
326U	8.00	6.25	12.00	0.66	1.88	5.25	5.38	0.50	0.50	4.25	30.94
326T	8.00	6.25	12.00	0.66	2.13	5.25	5.00	0.50	0.50	3.88	-
326TS	8.00	6.25	12.00	0.66	1.88	5.25	3.50	0.50	0.50	2.00	-
364U	9.00	7.00	11.25	0.66	2.13	5.88	6.13	0.50	0.50	5.00	33.06
364US	9.00	7.00	11.25	0.66	1.88	5.88	3.50	0.50	0.50	2.00	-
364T	9.00	7.00	11.25	0.66	2.38	5.88	5.63	0.63	0.63	4.25	-
364TS	9.00	7.00	11.25	0.66	1.88	5.88	3.50	0.50	0.50	2.00	-
365U	9.00	7.00	12.25	0.66	2.13	5.88	6.13	0.50	0.50	5.00	33.06
365US	9.00	7.00	12.25	0.66	1.88	5.88	3.50	0.50	0.50	2.00	-
365T	9.00	7.00	12.25	0.66	2.38	5.88	5.63	0.63	0.63	4.25	-
365TS	9.00	7.00	12.25	0.66	1.88	5.88	3.50	0.50	0.50	2.00	-
404U	10.00	8.00	12.25	0.81	2.38	6.63	6.88	0.63	0.63	5.50	36.38
404US	10.00	8.00	12.25	0.81	2.13	6.63	4.00	0.50	0.50	2.75	-
404T	10.00	8.00	12.25	0.81	2.88	6.63	7.00	0.75	0.75	5.63	-
404TS	10.00	8.00	12.25	0.81	2.13	6.63	4.00	0.50	0.50	2.75	-
405U	10.00	8.00	13.75	0.81	2.38	6.63	6.88	0.63	0.63	5.50	37.88
405US	10.00	8.00	13.75	0.81	2.13	6.63	4.00	0.50	0.50	2.75	-
405T	10.00	8.00	13.75	0.81	2.88	6.63	7.00	0.75	0.75	5.63	-
405TS	10.00	8.00	13.75	0.81	2.13	6.63	4.00	0.50	0.50	2.75	-

## SIEMENS

### Heavy Duty Motor Starters Solid State Overload, Manual Reset Class 14



#### Ordering Instructions

- See Field Modification Kits
- See 380V, 50 HZ information
- See Dimensions
- See Wiring Diagrams

#### Coil Table

60 HZ Voltage	Letter
110-120/220-240 <sup>1</sup>	A
120	F

For other voltages and frequencies, coil may be purchased separately.

#### 3 Phase, 3 Pole

ServiceFirst Item #	Mfg. #	Max Hp				NEMA Size	Overload Amp Range
		200 Volts	230 Volts	460 Volts	575 Volts		
OLD00343	14CSA32AA	1/6	1/6	1/3	1/2	0	0.25-1
OLD00344	14CSB32AA	1/2	3/4	1 1/2	2	0	0.75-3
OLD00345	14CSD32AA	2	2	5	5	0	2.5-10
OLD00346	14CSE32AA	3	3	—	—	0	9-18
OLD00347	14DSA32AA	1/6	1/6	1/3	1/2	1	0.25-1
OLD00348	14DSB32AA	1/2	3/4	1 1/2	2	1	0.75-3
OLD00349	14DSD32AA	2	2	5	5	1	2.5-10
OLD00350	14DSE32AA	3	3	10	10	1	9-18
OLD00351	14DSF32AA	7 1/2	7 1/2	—	—	1	13-27
OLD00352	14FSF32AA	—	—	15	20	2	13-27
OLD00353	14FSH32AA	10	15	25	25	2	22-45
OLD00354	14HSJ32AA	—	—	30	40	3	30-60
OLD00355	14HSK32AA	25	30	50	50	3	45-90
OLD00356	14JTM32AA	40	50	100	100	4	67-135
OLD00357	14LTU32AA	75	100	200	200	5	100-270
OLD00358	14MTX32AA	150	200	400	400	6	200-540

For a complete line of contactors, starters, overloads and relays, please see your ServiceFirst Siemens-Furnas Controls Catalog.



# Cross Reference

## ServiceFirst Item # to US Motor Catalog #

ServiceFirst Item No.	US Motor Catalog No.	ServiceFirst Item No.	US Motor Catalog No.	ServiceFirst Item No.	US Motor Catalog No.	ServiceFirst Item No.	US Motor Catalog No.
MOT10573	D1E2H	MOT10625	D5S2H2	MOT10677	D20P2H	MOT10729	D50P2H2P
MOT10574	D32E2H	MOT10626	D7E2H2C	MOT10678	D25P2H	MOT10730	D60P2H2P
MOT10575	D2E2H	MOT10627	D10E2H2C	MOT10679	D30P2HP	MOT10731	D75P2H2P
MOT10576	D3E2H	MOT10628	D15E2H2C	MOT10680	D40P2H	MOT10732	D100P2H2P
MOT10577	D5E2H	MOT10629	D20E2H2C	MOT10681	D50P2HP	MOT10733	D1P2B2P
MOT10578	D7E2H	MOT10630	D25E2H2C	MOT10682	D60P2HP	MOT10734	D32P2B2
MOT10579	D10E2H	MOT10631	D30E2H2C	MOT10683	D75P2HP	MOT10735	D2P2B2
MOT10580	D15E2H	MOT10632	D40E2H2C	MOT10684	D100P2HP	MOT10736	D3P2B2C
MOT10581	D20E2H	MOT10633	D50E2H2C	MOT10685	D1P2B	MOT10737	D5P2B2C
MOT10582	D25E2H	MOT10634	D60E2H2P	MOT10686	D32P2B	MOT10738	D7P2B2C
MOT10583	D30E2H	MOT10635	D75E2H2P	MOT10687	D2P2B	MOT10739	D10P2B2C
MOT10584	D40E2H	MOT10636	D100E2H2P	MOT10688	D3P2B	MOT10740	D15P2B2C
MOT10585	D50E2H	MOT10637	D1E2D2	MOT10689	D5P2B	MOT10741	D20P2B2C
MOT10586	D60E2HP	MOT10638	D32E2D2	MOT10690	D7P2B	MOT10742	D25P2B2C
MOT10587	D75E2HP	MOT10639	D2E2D2P	MOT10691	D10P2B	MOT10743	D30P2B2C
MOT10588	D100E2HP	MOT10640	D3E2D2	MOT10692	D15P2B	MOT10744	D40P2B2C
MOT10589	D1E2D	MOT10641	D5E2D2	MOT10693	D20P2B	MOT10745	D50P2B2C
MOT10590	D32E2D	MOT10642	D7E2D2	MOT10694	D25P2B	MOT10746	D60P2B2C
MOT10591	D2E2D	MOT10643	D10E2D2	MOT10695	D30P2B	MOT10747	D75P2B2C
MOT10592	D3E2D	MOT10644	D15E2D2	MOT10696	D40P2B	MOT10748	D100P2B2C
MOT10593	D5E2D	MOT10645	D20E2D2	MOT10697	D50P2B	MOT10749	D1P2G2P
MOT10594	D7E2D	MOT10646	D25E2D2C	MOT10698	D60P2B	MOT10750	D32P2G2P
MOT10595	D10E2D	MOT10647	D30E2D2C	MOT10699	D75P2B	MOT10751	D2P2G2P
MOT10596	D15E2D	MOT10648	D40E2E2C	MOT10700	D100P2B	MOT10752	D3P2G2C
MOT10597	D20E2D	MOT10649	D50E2E2C	MOT10701	D1P2G	MOT10753	D5P2G2C
MOT10598	D25E2D	MOT10650	D60E2E2C	MOT10702	D32P2G	MOT10754	D7P2G2C
MOT10599	D30E2D	MOT10651	D75E2E2C	MOT10703	D2P2G	MOT10755	D10P2G2C
MOT10600	D40E2E	MOT10652	D100E2E2C	MOT10704	D3P2G	MOT10756	D15P2G2C
MOT10601	D50E2E	MOT10653	D1E2G2P	MOT10705	D5P2G	MOT10757	D20P2G2C
MOT10602	D60E2E	MOT10654	D32E2G2P	MOT10706	D7P2G	MOT10758	D25P2G2C
MOT10603	D75E2E	MOT10655	D2E2G2P	MOT10707	D10P2G	MOT10759	D30P2G2C
MOT10604	D100E2E	MOT10656	D3E2G2C	MOT10708	D15P2G	MOT10760	D40P2G2C
MOT10605	D1E2G	MOT10657	D5E2G2C	MOT10709	D20P2G	MOT10761	D50P2G2C
MOT10606	D32E2G	MOT10658	D7E2G2C	MOT10710	D25P2G	MOT10762	D60P2G2C
MOT10607	D2E2G	MOT10659	D10E2G2C	MOT10711	D30P2G	MOT10763	D75P2G2C
MOT10608	D3E2G	MOT10660	D15E2G2C	MOT10712	D40P2G	MOT10764	D100P2G2C
MOT10609	D5E2G	MOT10661	D20E2G2C	MOT10713	D50P2G	MOT10765	U1E2H
MOT10610	D7E2G	MOT10662	D25E2G2C	MOT10714	D60P2G	MOT10766	U32E2H
MOT10611	D10E2G	MOT10663	D30E2G2C	MOT10715	D75P2G	MOT10767	U2E2H
MOT10612	D15E2G	MOT10664	D40E2G2C	MOT10716	D100P2G	MOT10768	U3E2H
MOT10613	D20E2G	MOT10665	D50E2G2C	MOT10717	D1P2H2P	MOT10769	U5E2H
MOT10614	D25E2G	MOT10666	D60E2G2C	MOT10718	D32P2H2P	MOT10770	U7E2H
MOT10615	D30E2G	MOT10667	D75E2G2C	MOT10719	D2P2H2	MOT10771	U10E2H
MOT10616	D40E2G	MOT10668	D100E2G2C	MOT10720	D3P2H2C	MOT10772	U15E2H
MOT10617	D50E2G	MOT10669	D1P2H	MOT10721	D5P2H2C	MOT10773	U20E2H
MOT10618	D60E2G	MOT10670	D32P2H	MOT10722	D7P2H2C	MOT10774	U25E2H
MOT10619	D75E2G	MOT10671	D2P2H	MOT10723	D10P2H2C	MOT10775	U30E2H
MOT10620	D100E2G	MOT10672	D3P2H	MOT10724	D15P2H2C	MOT10776	H40E2H
MOT10621	D1E2H2P	MOT10673	D5P2H	MOT10725	D20P2H2C	MOT10777	H50E2H
MOT10622	D32E2H2P	MOT10674	D7P2H	MOT10726	D25P2H2C	MOT10778	H60E2H
MOT10623	D2E2H2P	MOT10675	D10P2H	MOT10727	D30P2H2P	MOT10779	H75E2H
MOT10624	D3S2H2	MOT10676	D15P2H	MOT10728	D40P2H2C	MOT10780	H100E2H

# Cross Reference

## ServiceFirst Item # to US Motor Catalog #

ServiceFirst Item No.	US Motor Catalog No.	ServiceFirst Item No.	US Motor Catalog No.	ServiceFirst Item No.	US Motor Catalog No.	ServiceFirst Item No.	US Motor Catalog No.
MOT10781	U1E2D	MOT10833	U5E2D2C	MOT10885	U20P2B	MOT10817	U5E2H2C
MOT10782	U32E2D	MOT10834	U7E2D2C	MOT10886	H25P2B	MOT10818	U7E2H2C
MOT10783	U2E2D	MOT10835	U10E2D2C	MOT10887	H30P2B	MOT10819	U10E2H2C
MOT10784	U3E2D	MOT10836	U15E2D2C	MOT10888	H40P2B	MOT10820	U15E2H2C
MOT10785	U5E2D	MOT10837	U20E2D2C	MOT10889	H50P2B	MOT10821	U20E2H2C
MOT10786	U7E2D	MOT10838	U25E2D2C	MOT10890	H60P2B	MOT10822	U25E2H2C
MOT10787	U10E2D	MOT10839	U30E2D2C	MOT10891	H75P2B	MOT10823	U30E2H2C
MOT10788	U15E2D	MOT10840	H40E2E2C	MOT10892	H100P2B	MOT10824	H40E2H2C
MOT10789	U20E2D	MOT10841	H50E2E2C	MOT10893	U1P2G	MOT10825	H50E2H2C
MOT10790	U25E2D	MOT10842	H60E2E2C	MOT10894	U32P2G	MOT10826	H60E2H2C
MOT10791	U30E2D	MOT10843	H75E2E2C	MOT10895	U2P2G	MOT10827	H75E2H2C
MOT10792	H40E2E	MOT10844	H100E2E2C	MOT10896	U3P2G	MOT10828	H100E2H2C
MOT10793	H50E2E	MOT10845	U1E2G2P	MOT10897	U5P2G	MOT10829	U1E2D2P
MOT10794	H60E2E	MOT10846	U32E2G2P	MOT10898	U7P2G	MOT10830	U32E2D2P
MOT10795	H75E2E	MOT10847	U2E2G2P	MOT10899	U10P2G	MOT10831	U2E2D2P
MOT10796	H100E2E	MOT10848	U3E2G2C	MOT10900	U15P2G	MOT10832	U3E2D2C
MOT10797	U1E2G	MOT10849	U5E2G2C	MOT10901	U20P2G	MOT10833	U5E2D2C
MOT10798	U32E2G	MOT10850	U7E2G2C	MOT10902	H25P2G	MOT10834	U7E2D2C
MOT10799	U2E2G	MOT10851	U10E2G2C	MOT10903	H30P2G	MOT10835	U10E2D2C
MOT10800	U3E2G	MOT10852	U15E2G2C	MOT10904	H40P2G	MOT10836	U15E2D2C
MOT10801	U5E2G	MOT10853	U20E2G2C	MOT10905	H50P2G	MOT10837	U20E2D2C
MOT10802	U7E2G	MOT10854	U25E2G2C	MOT10906	H60P2G	MOT10838	U25E2D2C
MOT10803	U10E2G	MOT10855	U30E2G2C	MOT10907	H75P2G	MOT10839	U30E2D2C
MOT10804	U15E2G	MOT10856	H40E2G2C	MOT10908	H100P2G	MOT10840	H40E2E2C
MOT10805	U20E2G	MOT10857	H50E2G2C	MOT10909	U1P2H2P	MOT10841	H50E2E2C
MOT10806	U25E2G	MOT10858	H60E2G2C	MOT10910	U32P2H2P	MOT10842	H60E2E2C
MOT10807	U30E2G	MOT10859	H75E2G2C	MOT10911	U2P2H2P	MOT10843	H75E2E2C
MOT10808	H40E2G	MOT10860	H100E2G2C	MOT10912	U3P2H2P	MOT10844	H100E2E2C
MOT10809	H50E2G	MOT10861	U1P2HP	MOT10913	U5P2H2P	MOT10845	U1E2G2P
MOT10810	H60E2G	MOT10862	U32P2HP	MOT10914	U7P2H2P	MOT10846	U32E2G2P
MOT10811	H75E2G	MOT10863	U2P2HP	MOT10915	U10P2H2P	MOT10847	U2E2G2P
MOT10812	H100E2G	MOT10864	U3P2HP	MOT10916	U15P2H2P	MOT10848	U3E2G2C
MOT10813	U1E2H2P	MOT10865	U5P2HP	MOT10917	U20P2H2P	MOT10849	U5E2G2C
MOT10814	U32E2H2P	MOT10866	U7P2HP	MOT10918	U25P2H2P	MOT10850	U7E2G2C
MOT10815	U2E2H2P	MOT10867	U10P2HP	MOT10919	U30P2H2P	MOT10851	U10E2G2C
MOT10816	U3E2H2C	MOT10868	U15P2HP	MOT10920	H40P2H2P	MOT10852	U15E2G2C
MOT10817	U5E2H2C	MOT10869	U20P2HP	MOT10921	H50P2H2P	MOT10853	U20E2G2C
MOT10818	U7E2H2C	MOT10870	U25P2HP	MOT10922	H60P2H2P	MOT10854	U25E2G2C
MOT10819	U10E2H2C	MOT10871	U30P2HP	MOT10923	H75P2H2P	MOT10855	U30E2G2C
MOT10820	U15E2H2C	MOT10872	H40P2HP	MOT10924	H100P2H2P	MOT10856	H40E2G2C
MOT10821	U20E2H2C	MOT10873	H50P2HP	MOT10925	U1P2B2P	MOT10857	H50E2G2C
MOT10822	U25E2H2C	MOT10874	H60P2HP	MOT10926	U32P2B2P	MOT10858	H60E2G2C
MOT10823	U30E2H2C	MOT10875	H75P2HP	MOT10927	U2P2B2P	MOT10859	H75E2G2C
MOT10824	H40E2H2C	MOT10876	H100P2HP	MOT10928	U3P2B2C	MOT10860	H100E2G2C
MOT10825	H50E2H2C	MOT10877	U1P2B	MOT10929	U5P2B2C	MOT10861	U1P2HP
MOT10826	H60E2H2C	MOT10878	U32P2B	MOT10930	U7P2B2C	MOT10862	U32P2HP
MOT10827	H75E2H2C	MOT10879	U2P2B	MOT10931	U10P2B2C	MOT10863	U2P2HP
MOT10828	H100E2H2C	MOT10880	U3P2B	MOT10932	U15P2B2C	MOT10864	U3P2HP
MOT10829	U1E2D2P	MOT10881	U5P2B	MOT10813	U1E2H2P	MOT10865	U5P2HP
MOT10830	U32E2D2P	MOT10882	U7P2B	MOT10814	U32E2H2P	MOT10866	U7P2HP
MOT10831	U2E2D2P	MOT10883	U10P2B	MOT10815	U2E2H2P	MOT10867	U10P2HP
MOT10832	U3E2D2C	MOT10884	U15P2B	MOT10816	U3E2H2C	MOT10868	U15P2HP

# Cross Reference

## ServiceFirst Item # to US Motor Catalog #

ServiceFirst Item No.	US Motor Catalog No.	ServiceFirst Item No.	US Motor Catalog No.	ServiceFirst Item No.	US Motor Catalog No.	ServiceFirst Item No.	US Motor Catalog No.
MOT10869	U20P2HP	MOT11295	HW10EL36C2	MOT11348	HVV5EL9C	MOT11405	HVV40EK9C
MOT10870	U25P2HP	MOT11296	HW15EK9H2	MOT11349	HVV53L36H	MOT11406	HVV40EL9C
MOT10871	U30P2HP	MOT11297	HW15EL9H2	MOT11350	HVV5EL36C	MOT11407	HVV40EK9G
MOT10872	H40P2HP	MOT11298	HW15EK9C2	MOT11351	HVV7EK9H	MOT11408	HVV40EL36H
MOT10933	U20P2B2C	MOT11299	HW15EL9G2	MOT11352	HVV7EL9H	MOT11409	HVV40EK36C
MOT10934	H25P2B2C	MOT11300	HW15EK9G2	MOT11353	HVV7EK9C	MOT11410	HVV40EL36C
MOT10935	H30P2B2C	MOT11301	HW15EL36C2	MOT11354	HVV7EL9C	MOT11411	HVV40EL9H
MOT10936	H40P2B2C	MOT11302	HW20EK9H2	MOT11355	HVV7EL9G	MOT11412	HVV50EK9H
MOT10937	H50P2B2C	MOT11303	HW20EL9H2	MOT11356	HVV7EL36C	MOT11413	HVV50EK9C
MOT10938	H60P2B2C	MOT11304	HW20EK9C2	MOT11357	HVV7EK36C	MOT11414	HVV50EL9H
MOT10939	H75P2B2C	MOT11305	HW20EL9C2	MOT11358	HVV10EK9H	MOT11415	HVV40EL9G
MOT10940	H100P2B2C	MOT11306	HW20EL9G2	MOT11359	HVV10EL9H	MOT11416	HVV50EL9C
MOT10941	U1P2G2P	MOT11307	HW20EK9G2	MOT11360	HVV10EK9C	MOT11417	HVV50EL9G
MOT10942	U32P2G2P	MOT11309	HW20EL36C2	MOT11361	HVV10EL9C	MOT11418	HVV50EL36H
MOT10943	U2P2G2P	MOT11310	HW25EL9H2	MOT11362	HVV10EL9G	MOT11419	HVV50EL36C
MOT10944	U3P2G2C	MOT11311	HW25EK9H2	MOT11363	HVV10EL36H	MOT11420	HVV60EL9H
MOT10945	U5P2G2C	MOT11312	HW25EK9C2	MOT11364	HVV10EK36C	MOT11421	HVV60EL9C
MOT10946	U7P2G2C	MOT11313	HW25EL9G2	MOT11365	HVV10EL36C	MOT11422	HVV60EL9G
MOT10947	U10P2G2C	MOT11314	HW25EK9G2	MOT11366	HVV15EK9H	MOT11423	HVV75EK9H
MOT10948	U15P2G2C	MOT11315	HW25EL36C2	MOT11372	HVV15EL9H	MOT11424	HVV75EL9H
MOT10949	U20P2G2C	MOT11316	HW30EL9H2	MOT11373	HVV15EK9C	MOT11425	HVV75EL9C
MOT10950	H25P2G2C	MOT11317	HW30EK9H2	MOT11374	HVV15EL9C	MOT11426	HVV75EK9C
MOT10951	H30P2G2C	MOT11318	HW30EK9C2	MOT11375	HVV15EK9G	MOT11427	HVV100EL9H
MOT10952	H40P2G2C	MOT11319	HW30EL9C2	MOT11376	HVV15EL9G	MOT11428	HVV100EL9C
MOT10953	H50P2G2C	MOT11320	HW30EL9G2	MOT11377	HVV15EL36H		
MOT10954	H60P2G2C	MOT11321	HW30EL36C2	MOT11378	HVV15EL36C		
MOT10955	H75P2G2C	MOT11322	HW40EL9H2	MOT11379	HVV15EK36C		
MOT10956	H100P2G2C	MOT11323	HW40EL9C2	MOT11380	HVV20EK9H		
MOT11205	HW15EL9C2	MOT11324	HW40EK9C2	MOT11381	HVV20EK9C		
MOT11215	HW25EL9C2	MOT11325	HW40EK9G2	MOT11382	HVV20EL9C		
MOT11231	HVV20EL9H	MOT11326	HW40EL9G2	MOT11383	HVV20EK9G		
MOT11274	HW2EL9H2	MOT11327	HW40EL36C2	MOT11384	HVV20EL9G		
MOT11275	HW3EL9H2	MOT11328	HW50EK9H2	MOT11385	HVV20EL36H		
MOT11276	HW3EL9C2	MOT11329	HW50EL9H2	MOT11386	HVV20EK36C		
MOT11277	HW5EL9H2	MOT11330	HW50EL9C2	MOT11387	HVV20EL36C		
MOT11278	HW5EK9H2	MOT11331	HW50EK9C2	MOT11388	HVV25EK9H		
MOT11279	HW5EL9C2	MOT11332	HW50EL9G2	MOT11389	HVV25EL9H		
MOT11280	HW5EK9C2	MOT11333	HW60EL9H2	MOT11390	HVV25EK9C		
MOT11281	HW5EL9G2	MOT11334	HW60EL9C2	MOT11391	HVV25EL9C		
MOT11282	HW5EL36C2	MOT11335	HW60EL9G2	MOT11392	HVV25EL9G		
MOT11283	HW7EL9H2	MOT11336	HW75EL9H2	MOT11393	HVV25EK9G		
MOT11284	HE7EK9H2	MOT11337	HW75EL9C2	MOT11394	HVV25EL36H		
MOT11285	HW7EK9C2	MOT11338	HVV2EL9C	MOT11395	HVV25EK36C		
MOT11286	HW7EL9C2	MOT11339	HVV2EL9G	MOT11396	HVV25EL36C		
MOT11287	HW7EL9G2	MOT11340	HVV2EK36C	MOT11397	HVV30EL9H		
MOT11288	HW7EL36C2	MOT11341	HVV3EL9H	MOT11398	HVV30EK9H		
MOT11289	HW10EK9H2	MOT11342	HVV3EL9C	MOT11399	HVV30EK9C		
MOT11290	HW10EL9H2	MOT11343	HVV3EL9G	MOT11400	HVV30EL9C		
MOT11291	HW10EK9C2	MOT11344	HVV3EL36C	MOT11401	HVV30EL9G		
MOT11292	HW10EL9C2	MOT11345	HVV5EK9H	MOT11402	HVV30EL36H		
MOT11293	HW10EK9G2	MOT11346	HVV5EL9H	MOT11403	HVV30EL36C		
MOT11294	HW10EL9G2	MOT11347	HVV5EK9C	MOT11404	HVV40EK9H		

# Cross Reference

## US Catalog Motor # to ServiceFirst Item #

US Motor Catalog No.	ServiceFirst Item No.	US Motor Catalog No.	ServiceFirst Item No.	US Motor Catalog No.	ServiceFirst Item No.	US Motor Catalog No.	ServiceFirst Item No.
D100E2E	MOT10604	D20E2H	MOT10581	D32P2G	MOT10702	D60E2E	MOT10602
D100E2E2C	MOT10652	D20E2H2C	MOT10629	D32P2G2P	MOT10750	D60E2E2C	MOT10650
D100E2G	MOT10620	D20P2B	MOT10693	D32P2H	MOT10670	D60E2G	MOT10618
D100E2G2C	MOT10668	D20P2B2C	MOT10741	D32P2H2P	MOT10718	D60E2G2C	MOT10666
D100E2H2P	MOT10636	D20P2G	MOT10709	D3E2D	MOT10592	D60E2H2P	MOT10634
D100E2HP	MOT10588	D20P2G2C	MOT10757	D3E2D2	MOT10640	D60E2HP	MOT10586
D100P2B	MOT10700	D20P2H	MOT10677	D3E2G	MOT10608	D60P2B	MOT10698
D100P2B2C	MOT10748	D20P2H2C	MOT10725	D3E2G2C	MOT10656	D60P2B2C	MOT10746
D100P2G	MOT10716	D25E2D	MOT10598	D3E2H	MOT10576	D60P2G	MOT10714
D100P2G2C	MOT10764	D25E2D2C	MOT10646	D3P2B	MOT10688	D60P2G2C	MOT10762
D100P2H2P	MOT10732	D25E2G	MOT10614	D3P2B2C	MOT10736	D60P2H2P	MOT10730
D100P2HP	MOT10684	D25E2G2C	MOT10662	D3P2G	MOT10704	D60P2HP	MOT10682
D10E2D	MOT10595	D25E2H	MOT10582	D3P2G2C	MOT10752	D75E2E	MOT10603
D10E2D2	MOT10643	D25E2H2C	MOT10630	D3P2H	MOT10672	D75E2E2C	MOT10651
D10E2G	MOT10611	D25P2B	MOT10694	D3P2H2C	MOT10720	D75E2G	MOT10619
D10E2G2C	MOT10659	D25P2B2C	MOT10742	D3S2H2	MOT10624	D75E2G2C	MOT10667
D10E2H	MOT10579	D25P2G	MOT10710	D40E2E	MOT10600	D75E2H2P	MOT10635
D10E2H2C	MOT10627	D25P2G2C	MOT10758	D40E2E2C	MOT10648	D75E2HP	MOT10587
D10P2B	MOT10691	D25P2H	MOT10678	D40E2G	MOT10616	D75P2B	MOT10699
D10P2B2C	MOT10739	D25P2H2C	MOT10726	D40E2G2C	MOT10664	D75P2B2C	MOT10747
D10P2G	MOT10707	D2E2D	MOT10591	D40E2H	MOT10584	D75P2G	MOT10715
D10P2G2C	MOT10755	D2E2D2P	MOT10639	D40E2H2C	MOT10632	D75P2G2C	MOT10763
D10P2H	MOT10675	D2E2G	MOT10607	D40P2B	MOT10696	D75P2H2P	MOT10731
D10P2H2C	MOT10723	D2E2G2P	MOT10655	D40P2B2C	MOT10744	D75P2HP	MOT10683
D15E2D	MOT10596	D2E2H	MOT10575	D40P2G	MOT10712	D7E2D	MOT10594
D15E2D2	MOT10644	D2E2H2P	MOT10623	D40P2G2C	MOT10760	D7E2D2	MOT10642
D15E2G	MOT10612	D2P2B	MOT10687	D40P2H	MOT10680	D7E2G	MOT10610
D15E2G2C	MOT10660	D2P2B2	MOT10735	D40P2H2C	MOT10728	D7E2G2C	MOT10658
D15E2H	MOT10580	D2P2G	MOT10703	D50E2E	MOT10601	D7E2H	MOT10578
D15E2H2C	MOT10628	D2P2G2P	MOT10751	D50E2E2C	MOT10649	D7E2H2C	MOT10626
D15P2B	MOT10692	D2P2H	MOT10671	D50E2G	MOT10617	D7P2B	MOT10690
D15P2B2C	MOT10740	D2P2H2	MOT10719	D50E2G2C	MOT10665	D7P2B2C	MOT10738
D15P2G	MOT10708	D30E2D	MOT10599	D50E2H	MOT10585	D7P2G	MOT10706
D15P2G2C	MOT10756	D30E2D2C	MOT10647	D50E2H2C	MOT10633	D7P2G2C	MOT10754
D15P2H	MOT10676	D30E2G	MOT10615	D50P2B	MOT10697	D7P2H	MOT10674
D15P2H2C	MOT10724	D30E2G2C	MOT10663	D50P2B2C	MOT10745	D7P2H2C	MOT10722
D1E2D	MOT10589	D30E2H	MOT10583	D50P2G	MOT10713	H100E2E	MOT10796
D1E2D2	MOT10637	D30E2H2C	MOT10631	D50P2G2C	MOT10761	H100E2E2C	MOT10844
D1E2G	MOT10605	D30P2B	MOT10695	D50P2H2P	MOT10729	H100E2G	MOT10812
D1E2G2P	MOT10653	D30P2B2C	MOT10743	D50P2HP	MOT10681	H100E2G2C	MOT10860
D1E2H	MOT10573	D30P2G	MOT10711	D5E2D	MOT10593	H100E2H	MOT10780
D1E2H2P	MOT10621	D30P2G2C	MOT10759	D5E2D2	MOT10641	H100E2H2C	MOT10828
D1P2B	MOT10685	D30P2H2P	MOT10727	D5E2G	MOT10609	H100P2B	MOT10892
D1P2B2P	MOT10733	D30P2HP	MOT10679	D5E2G2C	MOT10657	H100P2B2C	MOT10940
D1P2G	MOT10701	D32E2D	MOT10590	D5E2H	MOT10577	H100P2G	MOT10908
D1P2G2P	MOT10749	D32E2D2	MOT10638	D5P2B	MOT10689	H100P2G2C	MOT10956
D1P2H	MOT10669	D32E2G	MOT10606	D5P2B2C	MOT10737	H100P2H2P	MOT10924
D1P2H2P	MOT10717	D32E2G2P	MOT10654	D5P2G	MOT10705	H100P2HP	MOT10876
D20E2D	MOT10597	D32E2H	MOT10574	D5P2G2C	MOT10753	H25P2B	MOT10886
D20E2D2	MOT10645	D32E2H2P	MOT10622	D5P2H	MOT10673	H25P2B2C	MOT10934
D20E2G	MOT10613	D32P2B	MOT10686	D5P2H2C	MOT10721	H25P2G	MOT10902
D20E2G2C	MOT10661	D32P2B2	MOT10734	D5S2H2	MOT10625	H25P2G2C	MOT10950

# Cross Reference

## US Catalog Motor # to ServiceFirst Item #

US Motor Catalog No.	ServiceFirst Item No.	US Motor Catalog No.	ServiceFirst Item No.	US Motor Catalog No.	ServiceFirst Item No.	US Motor Catalog No.	ServiceFirst Item No.
H30P2B	MOT10887	HE7EK9H2	MOT11284	HVV40EK36C	MOT11409	HW20EK9H2	MOT11302
H30P2B2C	MOT10935	HVV100EL9C	MOT11428	HVV40EK9C	MOT11405	HW20EL36C2	MOT11309
H30P2G	MOT10903	HVV100EL9H	MOT11427	HVV40EK9G	MOT11407	HW20EL9C2	MOT11305
H30P2G2C	MOT10951	HVV10EK36C	MOT11364	HVV40EK9H	MOT11404	HW20EL9G2	MOT11306
H40E2E	MOT10792	HVV10EK9C	MOT11360	HVV40EL36C	MOT11410	HW20EL9H2	MOT11303
H40E2E2C	MOT10840	HVV10EK9H	MOT11358	HVV40EL36H	MOT11408	HW25EK9C2	MOT11312
H40E2G	MOT10808	HVV10EL36C	MOT11365	HVV40EL9C	MOT11406	HW25EK9G2	MOT11314
H40E2G2C	MOT10856	HVV10EL36H	MOT11363	HVV40EL9G	MOT11415	HW25EK9H2	MOT11311
H40E2H	MOT10776	HVV10EL9C	MOT11361	HVV40EL9H	MOT11411	HW25EL36C2	MOT11315
H40E2H2C	MOT10824	HVV10EL9G	MOT11362	HVV50EK9C	MOT11413	HW25EL9C2	MOT11215
H40P2B	MOT10888	HVV10EL9H	MOT11359	HVV50EK9H	MOT11412	HW25EL9G2	MOT11313
H40P2B2C	MOT10936	HVV15EK36C	MOT11379	HVV50EL36C	MOT11419	HW25EL9H2	MOT11310
H40P2G	MOT10904	HVV15EK9C	MOT11373	HVV50EL36H	MOT11418	HW2EL9H2	MOT11274
H40P2G2C	MOT10952	HVV15EK9G	MOT11375	HVV50EL9C	MOT11416	HW30EK9C2	MOT11318
H40P2H2P	MOT10920	HVV15EK9H	MOT11366	HVV50EL9G	MOT11417	HW30EK9H2	MOT11317
H40P2HP	MOT10872	HVV15EL36C	MOT11378	HVV50EL9H	MOT11414	HW30EL36C2	MOT11321
H50E2E	MOT10793	HVV15EL36H	MOT11377	HVV53L36H	MOT11349	HW30EL9C2	MOT11319
H50E2E2C	MOT10841	HVV15EL9C	MOT11374	HVV55EK9C	MOT11347	HW30EL9G2	MOT11320
H50E2G	MOT10809	HVV15EL9G	MOT11376	HVV55EK9H	MOT11345	HW30EL9H2	MOT11316
H50E2G2C	MOT10857	HVV15EL9H	MOT11372	HVV55EL36C	MOT11350	HW3EL9C2	MOT11276
H50E2H	MOT10777	HVV20EK36C	MOT11386	HVV55EL9C	MOT11348	HW3EL9H2	MOT11275
H50E2H2C	MOT10825	HVV20EK9C	MOT11381	HVV55EL9H	MOT11346	HW40EK9C2	MOT11324
H50P2B	MOT10889	HVV20EK9G	MOT11383	HVV60EL9C	MOT11421	HW40EK9G2	MOT11325
H50P2B2C	MOT10937	HVV20EK9H	MOT11380	HVV60EL9G	MOT11422	HW40EL36C2	MOT11327
H50P2G	MOT10905	HVV20EL36C	MOT11387	HVV60EL9H	MOT11420	HW40EL9C2	MOT11323
H50P2G2C	MOT10953	HVV20EL36H	MOT11385	HVV75EK9C	MOT11426	HW40EL9G2	MOT11326
H50P2H2P	MOT10921	HVV20EL9C	MOT11382	HVV75EK9H	MOT11423	HW40EL9H2	MOT11322
H50P2HP	MOT10873	HVV20EL9G	MOT11384	HVV75EL9C	MOT11425	HW50EK9C2	MOT11331
H60E2E	MOT10794	HVV20EL9H	MOT11231	HVV75EL9H	MOT11424	HW50EK9H2	MOT11328
H60E2E2C	MOT10842	HVV25EK36C	MOT11395	HVV7EK36C	MOT11357	HW50EL9C2	MOT11330
H60E2G	MOT10810	HVV25EK9C	MOT11390	HVV7EK9C	MOT11353	HW50EL9G2	MOT11332
H60E2G2C	MOT10858	HVV25EK9G	MOT11393	HVV7EK9H	MOT11351	HW50EL9H2	MOT11329
H60E2H	MOT10778	HVV25EK9H	MOT11388	HVV7EL36C	MOT11356	HW5EK9C2	MOT11280
H60E2H2C	MOT10826	HVV25EL36C	MOT11396	HVV7EL9C	MOT11354	HW5EK9H2	MOT11278
H60P2B	MOT10890	HVV25EL36H	MOT11394	HVV7EL9G	MOT11355	HW5EL36C2	MOT11282
H60P2B2C	MOT10938	HVV25EL9C	MOT11391	HVV7EL9H	MOT11352	HW5EL9C2	MOT11279
H60P2G	MOT10906	HVV25EL9G	MOT11392	HW10EK9C2	MOT11291	HW5EL9G2	MOT11281
H60P2G2C	MOT10954	HVV25EL9H	MOT11389	HW10EK9G2	MOT11293	HW5EL9H2	MOT11277
H60P2H2P	MOT10922	HVV2EK36C	MOT11340	HW10EKP2H	MOT11289	HW60EL9C2	MOT11334
H60P2HP	MOT10874	HVV2EL9C	MOT11338	HW10EL36C2	MOT11295	HW60EL9G2	MOT11335
H75E2E	MOT10795	HVV2EL9G	MOT11339	HW10EL9C2	MOT11292	HW60EL9H2	MOT11333
H75E2E2C	MOT10843	HVV30EK9C	MOT11399	HW10EL9G2	MOT11294	HW75EL9C2	MOT11337
H75E2G	MOT10811	HVV30EK9H	MOT11398	HW10EL9H2	MOT11290	HW75EL9H2	MOT11336
H75E2G2C	MOT10859	HVV30EL36C	MOT11403	HW15EK9C2	MOT11298	HW7EKP2C	MOT11285
H75E2H	MOT10779	HVV30EL36H	MOT11402	HW15EK9G2	MOT11300	HW7EL36C2	MOT11288
H75E2H2C	MOT10827	HVV30EL9C	MOT11400	HW15EK9H2	MOT11296	HW7EL9C2	MOT11286
H75P2B	MOT10891	HVV30EL9G	MOT11401	HW15EL36C2	MOT11301	HW7EL9G2	MOT11287
H75P2B2C	MOT10939	HVV30EL9H	MOT11397	HW15EL9C2	MOT11205	HW7EL9H2	MOT11283
H75P2G	MOT10907	HVV3EL36C	MOT11344	HW15EL9G2	MOT11299	U10E2D	MOT10787
H75P2G2C	MOT10955	HVV3EL9C	MOT11342	HW15EL9H2	MOT11297	U10E2D2C	MOT10835
H75P2H2P	MOT10923	HVV3EL9G	MOT11343	HW20EK9C2	MOT11304	U10E2G	MOT10803
H75P2HP	MOT10875	HVV3EL9H	MOT11341	HW20EK9G2	MOT11307	U10E2G2C	MOT10851

# Cross Reference

## US Catalog Motor # to ServiceFirst Item #

US Motor Catalog No.	ServiceFirst Item No.
U10E2H	MOT10771
U10E2H2C	MOT10819
U10P2B	MOT10883
U10P2B2C	MOT10931
U10P2G	MOT10899
U10P2G2C	MOT10947
U10P2H2P	MOT10915
U10P2HP	MOT10867
U15E2D	MOT10788
U15E2D2C	MOT10836
U15E2G	MOT10804
U15E2G2C	MOT10852
U15E2H	MOT10772
U15E2H2C	MOT10820
U15P2B	MOT10884
U15P2B2C	MOT10932
U15P2G	MOT10900
U15P2G2C	MOT10948
U15P2H2P	MOT10916
U15P2HP	MOT10868
U1E2D	MOT10781
U1E2D2P	MOT10829
U1E2G	MOT10797
U1E2G2P	MOT10845
U1E2H	MOT10765
U1E2H2P	MOT10813
U1P2B	MOT10877
U1P2B2P	MOT10925
U1P2G	MOT10893
U1P2G2P	MOT10941
U1P2H2P	MOT10909
U1P2HP	MOT10861
U20E2D	MOT10789
U20E2D2C	MOT10837
U20E2G	MOT10805
U20E2G2C	MOT10853
U20E2H	MOT10773
U20E2H2C	MOT10821
U20P2B	MOT10885
U20P2B2C	MOT10933
U20P2G	MOT10901
U20P2G2C	MOT10949
U20P2H2P	MOT10917
U20P2HP	MOT10869
U25E2D	MOT10790
U25E2D2C	MOT10838
U25E2G	MOT10806
U25E2G2C	MOT10854
U25E2H	MOT10774
U25E2H2C	MOT10822
U25P2H2P	MOT10918
U25P2HP	MOT10870

US Motor Catalog No.	ServiceFirst Item No.
U2E2D	MOT10783
U2E2D2P	MOT10831
U2E2G	MOT10799
U2E2G2P	MOT10847
U2E2H	MOT10767
U2E2H2P	MOT10815
U2P2B	MOT10879
U2P2B2P	MOT10927
U2P2G	MOT10895
U2P2G2P	MOT10943
U2P2H2P	MOT10911
U2P2HP	MOT10863
U30E2D	MOT10791
U30E2D2C	MOT10839
U30E2G	MOT10807
U30E2G2C	MOT10855
U30E2H	MOT10775
U30E2H2C	MOT10823
U30P2H2P	MOT10919
U30P2HP	MOT10871
U32E2D	MOT10782
U32E2D2P	MOT10830
U32E2G	MOT10798
U32E2G2P	MOT10846
U32E2H	MOT10766
U32E2H2P	MOT10814
U32P2B	MOT10878
U32P2B2P	MOT10926
U32P2G	MOT10894
U32P2G2P	MOT10942
U32P2H2P	MOT10910
U32P2HP	MOT10862
U3E2D	MOT10784
U3E2D2C	MOT10832
U3E2G	MOT10800
U3E2G2C	MOT10848
U3E2H	MOT10768
U3E2H2C	MOT10816
U3P2B	MOT10880
U3P2B2C	MOT10928
U3P2G	MOT10896
U3P2G2C	MOT10944
U3P2H2P	MOT10912
U3P2HP	MOT10864
U5E2D	MOT10785
U5E2D2C	MOT10833
U5E2G	MOT10801
U5E2G2C	MOT10849
U5E2H	MOT10769
U5E2H2C	MOT10817
U5P2B	MOT10881
U5P2B2C	MOT10929

US Motor Catalog No.	ServiceFirst Item No.
U5P2G	MOT10897
U5P2G2C	MOT10945
U5P2H2P	MOT10913
U5P2HP	MOT10865
U7E2D	MOT10786
U7E2D2C	MOT10834
U7E2G	MOT10802
U7E2G2C	MOT10850
U7E2H	MOT10770
U7E2H2C	MOT10818
U7P2B	MOT10882
U7P2B2C	MOT10930
U7P2G	MOT10898
U7P2G2C	MOT10946
U7P2H2P	MOT10914
U7P2HP	MOT10866





---

Literature Order Number	RSP-PRC017-EN
Filing Hierarchy	Service Products/Motors
Date	January 2003
Supersedes	RSP-PRC017-EN 0402
Stocking Location	La Crosse - Inland

*Trane has a policy of continuous product and product data improvement and reserves the right to change design and specifications without notice.*